
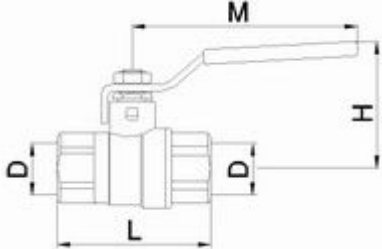


Valvole a sfera serie Gold VSB – Ball Valves Serie Gold VSB

|  |  | | | | | | | | | | | | | | | | | | | | | | | | | | | | |
|---|---|---------------|-----|---|---|------|----|----|----|------|----|----|----|----|----|----|-----|-------|----|----|-----|-------|----|----|-----|----|----|-----|-----|
| | <table border="1"> <thead> <tr> <th>Misura/Size D</th> <th>H</th> <th>L</th> <th>M</th> </tr> </thead> <tbody> <tr> <td>1/2"</td> <td>52</td> <td>57</td> <td>93</td> </tr> <tr> <td>3/4"</td> <td>57</td> <td>63</td> <td>93</td> </tr> <tr> <td>1"</td> <td>62</td> <td>75</td> <td>112</td> </tr> <tr> <td>1"1/4</td> <td>66</td> <td>84</td> <td>112</td> </tr> <tr> <td>1"1/2</td> <td>77</td> <td>92</td> <td>143</td> </tr> <tr> <td>2"</td> <td>81</td> <td>106</td> <td>143</td> </tr> </tbody> </table> | Misura/Size D | H | L | M | 1/2" | 52 | 57 | 93 | 3/4" | 57 | 63 | 93 | 1" | 62 | 75 | 112 | 1"1/4 | 66 | 84 | 112 | 1"1/2 | 77 | 92 | 143 | 2" | 81 | 106 | 143 |
| Misura/Size D | H | L | M | | | | | | | | | | | | | | | | | | | | | | | | | | |
| 1/2" | 52 | 57 | 93 | | | | | | | | | | | | | | | | | | | | | | | | | | |
| 3/4" | 57 | 63 | 93 | | | | | | | | | | | | | | | | | | | | | | | | | | |
| 1" | 62 | 75 | 112 | | | | | | | | | | | | | | | | | | | | | | | | | | |
| 1"1/4 | 66 | 84 | 112 | | | | | | | | | | | | | | | | | | | | | | | | | | |
| 1"1/2 | 77 | 92 | 143 | | | | | | | | | | | | | | | | | | | | | | | | | | |
| 2" | 81 | 106 | 143 | | | | | | | | | | | | | | | | | | | | | | | | | | |

Caratteristiche tecniche – Technical Sheet

| Denominazione Parte | Materiali | Part Name | Materials |
|---------------------|-----------------------|-----------|----------------------|
| Corpo | Ottone CW617N | Body | Brass CW617N |
| Sfera | Ottone Cromato CW617N | Ball | Chromed Brass CW617N |
| Sedi | P.T.F.E | Ball seat | P.T.F.E |
| Perno | Ottone CW614N | Stem | Brass CW614N |
| Guarnizioni | NBR 70 Sh | O-rings | NBR 70 Sh |
| Leva | UNI 5076 | Handle | UNI 5076 |

| | | | |
|-----------------------|-----------------------------------|-------------------|-----------------------------------|
| Serie | VSB GOLD | Series | VSB GOLD |
| Attacco | FE/FE ISO 7 | Thread Ends | FE/FE ISO 7 |
| Manovra | ROTAZIONE 90° CON FERMO MECCANICO | Actuator | 90° ROTATION WITH MECHANICAL STOP |
| Comando | LEVA IN ALLUMINIO | Operator | ALUMINIUM HANDLE |
| Pressione nominale | 30 BAR | Nominal Pressure | 30 BAR |
| Temperatura esercizio | 0-80 °C | Temperature range | 0-80 °C |