
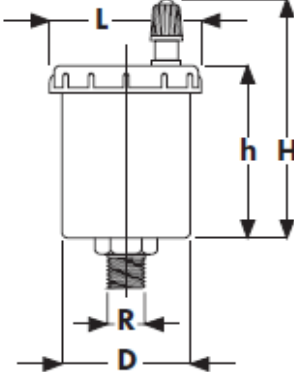


	Scheda Tecnica	VA 110	Valvola di sfogo aria automatica
	Technical Sheet	VA 110	Automatica air-discharger valve

																					
<p>Adatte all'impiego in impianti idraulici, di riscaldamento, di condizionamento. Pressione Max di esercizio: 10 Bar Temperatura Max: 110 °C Pressione Max di scarico: 6 Bar</p> <p><i>Suitable for domestic water services, heating and air-conditioning plants. Max Operating Pressure: 10 bar Max temperature: 110 °C Max discharge pressure: 6 Bar</i></p>	<table border="1"> <thead> <tr> <th>Misura/Size R</th> <th>L</th> <th>D</th> <th>H</th> <th>h</th> </tr> </thead> <tbody> <tr> <td>3/8"</td> <td>46</td> <td>38</td> <td>64</td> <td>72</td> </tr> <tr> <td>1/2"</td> <td>46</td> <td>38</td> <td>64</td> <td>72</td> </tr> <tr> <td>3/4"</td> <td>46</td> <td>38</td> <td>64</td> <td>72</td> </tr> </tbody> </table>	Misura/Size R	L	D	H	h	3/8"	46	38	64	72	1/2"	46	38	64	72	3/4"	46	38	64	72
Misura/Size R	L	D	H	h																	
3/8"	46	38	64	72																	
1/2"	46	38	64	72																	
3/4"	46	38	64	72																	

Denominazione Parte	Materiali	Part Name	Materials
Corpo	Ottone OT Biesse (UNI5035)	Body	Brass OT Biesse (UNI5035)
Tappo	Ottone OT Biesse (UNI5035)	End Adapter	Brass OT Biesse (UNI5035)
Guarnizioni	NBR 70 Sh	O-rings	NBR 70 Sh
Galleggiante	Polietilene	Float	Polyethylene
Molla	Acciaio INOX AISI 304	Spring	Stainless Steel AISI 304